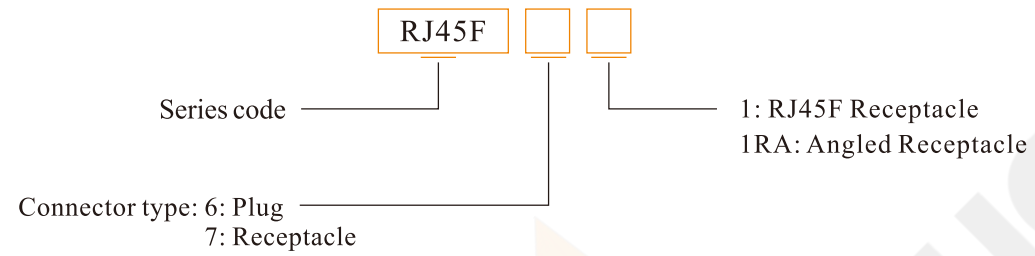




● RJ45F Series IP67

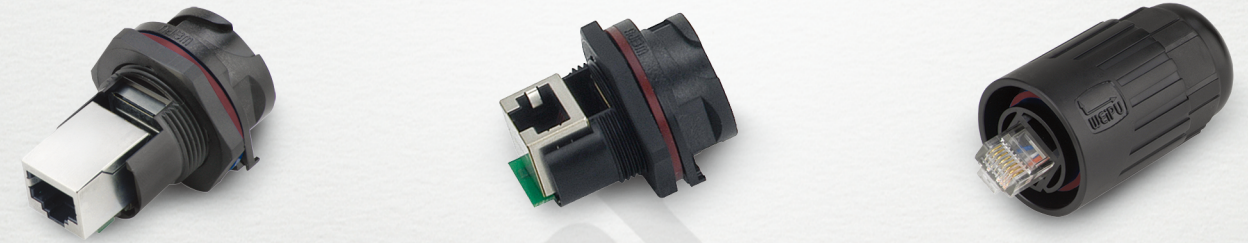
RJ45F connector is used to connect standard Ethernet Class D /Cat.5e and Class E/cat 6 (10 Base T , 100 base TX , 1000 Base T net works) in outdoor or water proof harsh working environment . no need soldering , easy to connect , it is widely use in communications , LED boards , security monitoring , automation control etc.

Part number system

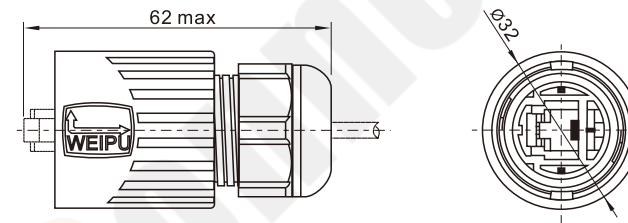


Material and spec

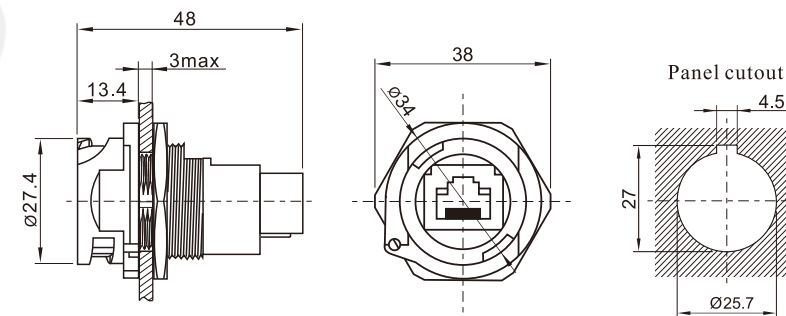
Coupling	Bayonet
Shell material	PC, fire resistance: V-0
IP rating	IP67
Cable out diameter range	I: 5-6mm, II: 6-7mm
Mating cycle	500
Temperature range	-40C~+85C



- RJ45F plug: RJ45F6 Cable outer diameter I: 5-6mm, II: 6-7mm



- RJ45F Receptacle: RJ45F71



- Angled Receptacle: RJ45F71RA

